

# TX-RGB3A140-003K

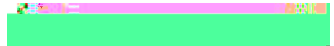
## PRODUCT SPECIFICATION

Approved by:

Checked by:

Prepared by:

<b>Part No.</b>	TX-RGB3A140-003K	<b>Spec No.</b>	WKF-BA3086	<b>Page</b>	1 of 6
-----------------	------------------	-----------------	------------	-------------	--------



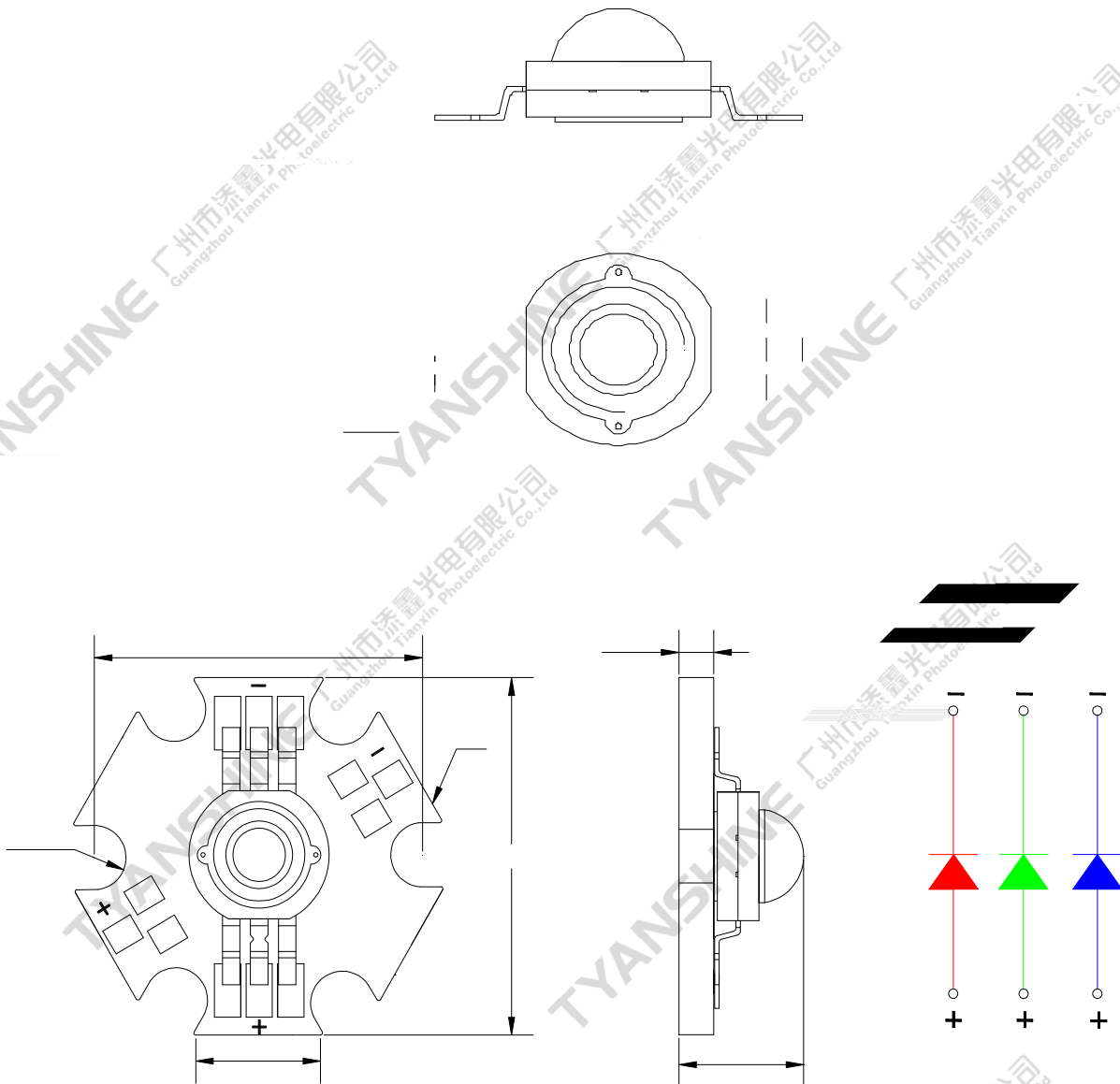
**Features:**

- Excellent Transiting Heat from LED Chip Operating under 700mA
- High Luminous Output
- No UV

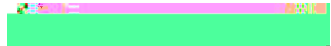
**Typical purpose:**

- Portable Flashlight
- Garden lighting
- General Lighting

**Package Dimensions:**



Part No.	TX-RGB3A140-003K	Spec No.	WKF-BA3086	Page	2 of 6
----------	------------------	----------	------------	------	--------



**Notes:**

1. Thermoelectric integrated Red chip packaged in this product.
2. All dimensions are in millimeters (inches).
3. Tolerance is  $\pm 0.25$  mm (0.01") unless otherwise noted.

Part NO.	Chip Material			Lens Color	Emitting Color
	Red	Green	Blue		
TX-RGB3A140-003K	AlGaInP	GaInN	GaInN	Water Clear	Red & True Green & Blue

**Absolute Maximum Ratings at Ta=25**

Parameter	Symbol	MAX.	Unit
LED Junction Temperature	T <sub>j</sub>	115	
Power Dissipation	P <sub>D</sub>	R	1890
		G	2800
		B	2660
Peak Forward Current (1/10 Duty Cycle, 0.1ms Pulse Width)	I <sub>FP</sub>	1000	mA
Continuous Forward Current	I <sub>F</sub>	700	mA
Reverse Voltage	V <sub>R</sub>	5	V
Electrostatic Discharge Threshold (ESD)	ESD	2000	V
Operating Temperature Range	T <sub>opr</sub>	-40 to +70	
Storage Temperature Range	T <sub>spr</sub>	-40 to +100	
Lead Soldering Temperature	T <sub>sol</sub>	Hand Soldering: 350 for 8 sec.	

**Notes:**

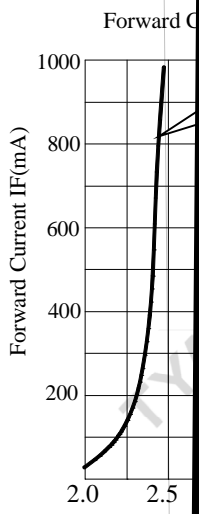
1. Specifications are subject to change without notice.
2. Under the stipulated Characteristics parameters above, the life span of the LED is more than 50,000hours.
3. The data on this specification is for reference only and the actual data is in accordance with the acknowledgment.
4. Precautions for ESD:  
 STATIC SHIELD Electricity and surge damages the LED. It is recommended to use a wrist band or anti-electrostatic glove when handling the LED. All devices, equipment and machinery must be properly grounded.

<b>Part No.</b>	TX-RGB3A140-003K	<b>Spec No.</b>	WKF-BA3086	<b>Page</b>	3 of 6
-----------------	------------------	-----------------	------------	-------------	--------

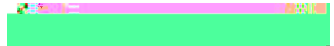


# Typical Elect

(25 Ambient T



Part No



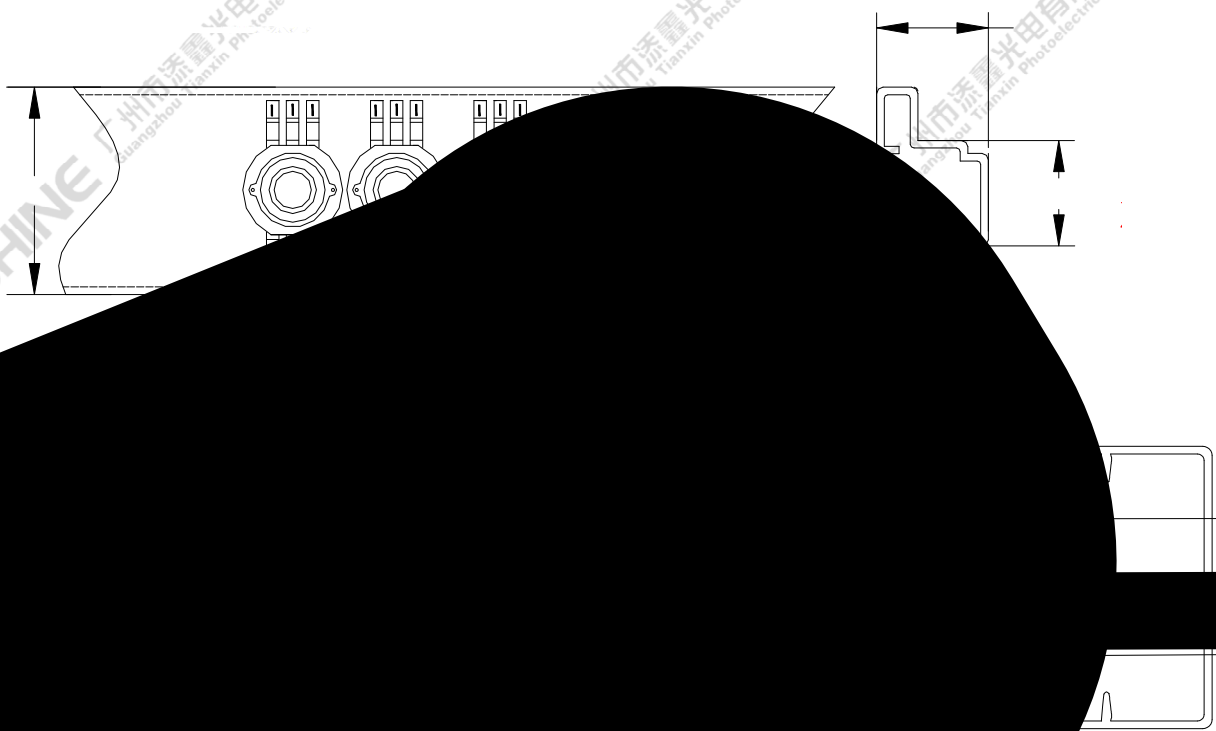
TYANSHINE 广州市添鑫光电有限公司  
Guangzhou Tianxin Photoelectric Co., Ltd.

TYANSHINE 广州市添鑫光电有限公司  
Guangzhou Tianxin Photoelectric Co., Ltd.

TYANSHINE 广州市添鑫光电有限公司  
Guangzhou Tianxin Photoelectric Co., Ltd.

广州市添鑫光电有限公司  
Tianxin Photoelectric Co., Ltd.

广州市添鑫光电有限公司  
Guangzhou Tianxin Photoelectric Co., Ltd.



140-003K

No.

WKF-BA3086

Page

6 of 6

Version:1.0

广州市添鑫光电有限公司  
Guangzhou Tianxin Photoelectric Co., Ltd.

广州市添鑫光电有限公司  
Guangzhou Tianxin Photoelectric Co., Ltd.