

**TX-R3A140-010G**

**PRODUCT SPECIFICATION**

Approved by: \_\_\_\_\_

Checked by: \_\_\_\_\_

Prepared by: \_\_\_\_\_

<b>Part No.</b>	TX-R3A140-010G	<b>Spec No.</b>	WKF-BA3071	<b>Page</b>	1 of 8
-----------------	----------------	-----------------	------------	-------------	--------

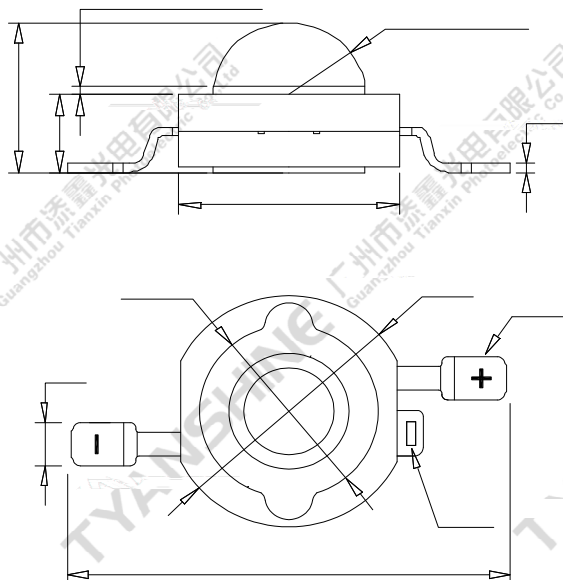
**Features:**

- Excellent Transiting Heat from LED Chip Operating under 700mA
- High Luminous Output
- No UV

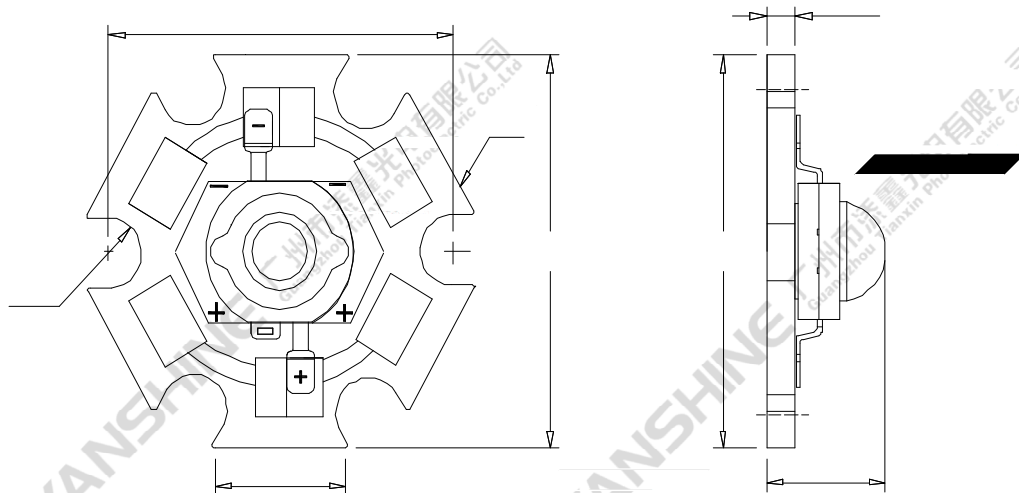
**Typical purpose:**

- Portable Flashlight
- Garden lighting
- General Lighting

**Package Dimensions:**



**Installs on the aluminum sheet:**



<b>Part No.</b>	TX-R3A140-010G	<b>Spec No.</b>	WKF-BA3071	<b>Page</b>	2 of 8
-----------------	----------------	-----------------	------------	-------------	--------

**Notes:**

1. All dimensions are in millimeters (inches).
2. Tolerance is  $\pm 0.25$  mm (0.01") unless otherwise noted.

Part NO.	Lens Color	Emitting Color
TX-R3A140-010G	Water Clear	Red

**Absolute Maximum Ratings at Ta=25**

Parameter	Symbol	MAX.	Unit
LED Junction Temperature	T <sub>j</sub>	150	
Power Dissipation	P <sub>D</sub>	2170	mW
Peak Forward Current (1/10 Duty Cycle, 0.1ms Pulse Width)	I <sub>FP</sub>	1000	mA
Continuous Forward Current	I <sub>F</sub>	700	mA
Reverse Voltage	V <sub>R</sub>	5	V
Electrostatic Discharge Threshold (ESD)	ESD	2000	V
Operating Temperature Range	T <sub>opr</sub>	-30 to +70	
Storage Temperature Range	T <sub>spr</sub>	-40 to +100	

**Notes:**

1. Specifications are subject to change without notice.
2. The data on this specification is for reference only and the actual data is in accordance with the acknowledgment.
3. Precautions for ESD:

STATIC SHIELD Electricity and surge damages the LED. It is recommended to use a wrist band or anti-electrostatic glove when handling the LED. All devices, equipment and machines must be properly grounded.



### Typical Electrical / Optical Characteristics Curves

(25 Ambient Temperature Unless Otherwise Noted)

