

TX-G3A140-010G

PRODUCT SPECIFICATION

Approved by:

Checked by:

Prepared by:

Part No.	TX-G3A140-010G	Spec No.	WKF-BA3070	Page	1 of 8
-----------------	----------------	-----------------	------------	-------------	--------

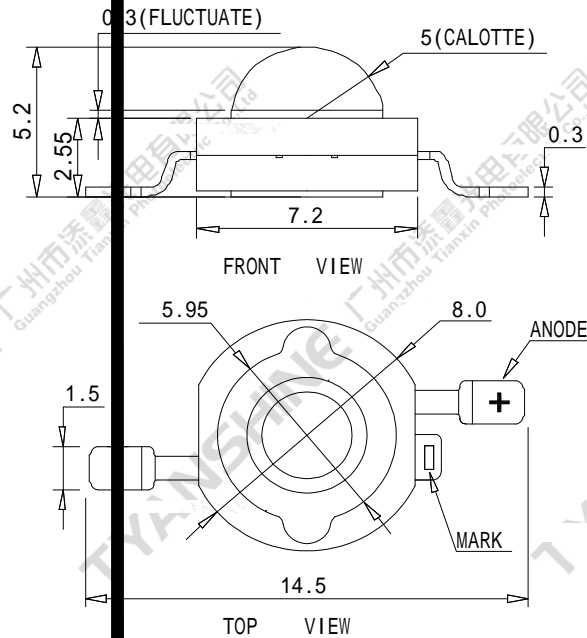
Features:

- ✧ Excellent Transiting Heat from LED Chip Operating under 700mA
- ✧ High Luminous Output
- ✧ No UV

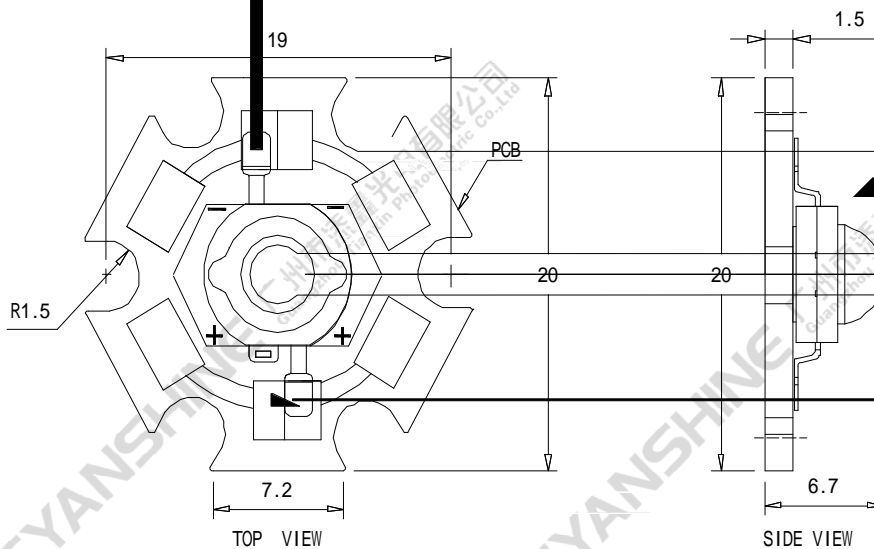
Typical purpose:

- ✧ Portable Flashlight
- ✧ Garden lighting
- ✧ General Lighting

Package Dimensions:



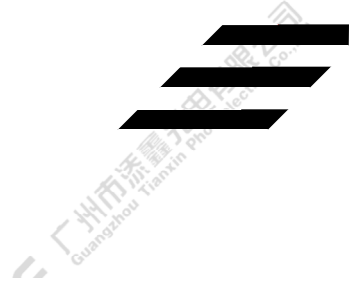
Installs on the aluminum



Part No.	TX-G3A140-010G	Spec No.	WKF-BA3070	Page	2 of 8
-----------------	----------------	-----------------	------------	-------------	--------

TYANSHINE 广州市添鑫光电有限公司
Guangzhou Tianxin Photoelectric Co., Ltd.

TYANSHINE 广州市添鑫光电有限公司
Guangzhou Tianxin Photoelectric Co., Ltd.



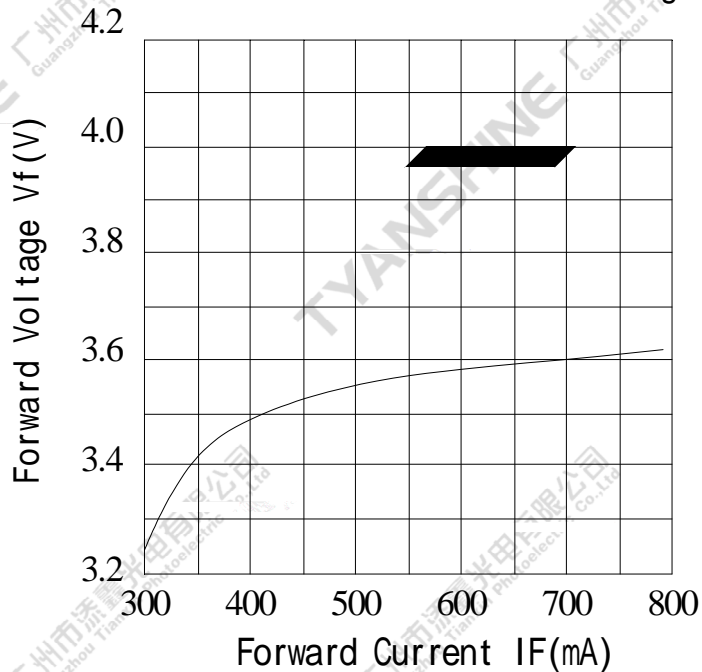
Characteristics at $I_f=700mA$, $V_r=5V$ ($T_a=25^\circ C$) \(

Parameter	Symbol	Values			Units
		Min.	Typ.	Max.	
Luminous Flux	v	175	220	—	lm
Viewing Angle at 50 λ IV	$2\ 1/2$	—	140	—	Deg
Peak Emission Wavelength	λ_p	—	515	523	nm
Dominant Wavelength	d	520	522	530	nm
Spectral Line Half-Width	$\Delta\lambda$	30	35	40	nm
Forward Voltage	V_f	3.2	3.6	3.8	V
Reverse Current	I_R	—	—	10	μA
Thermal Resistance Junction to Case	R_{J-C}	—	—	—	—

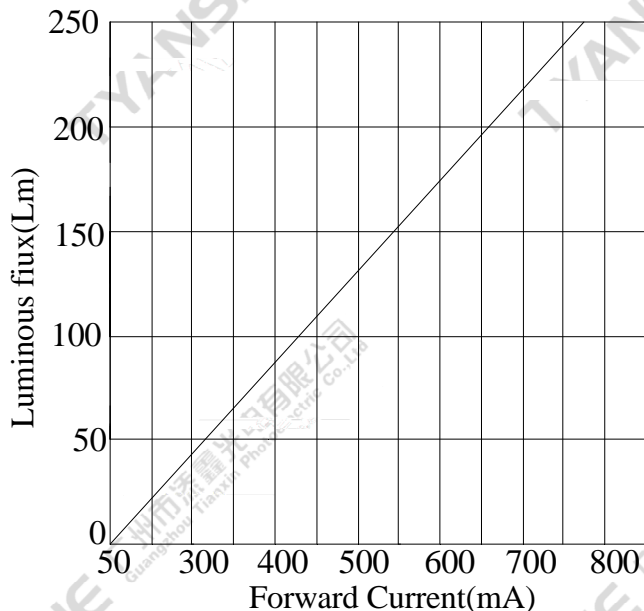
Typical Electrical / Optical Characteristics Curves

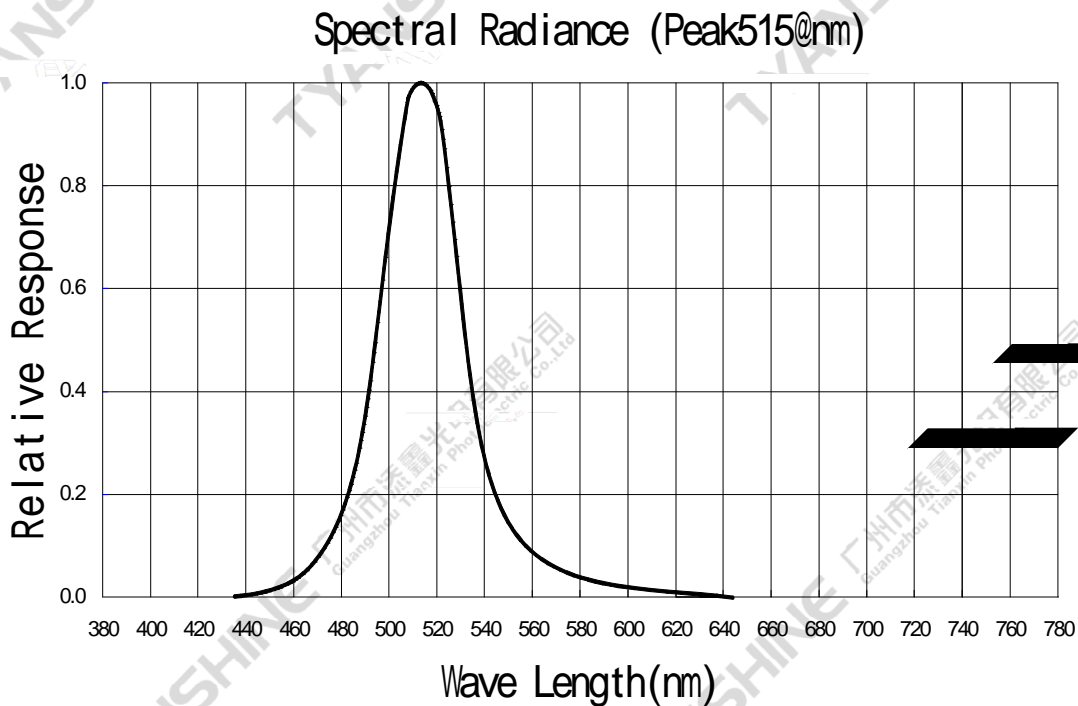
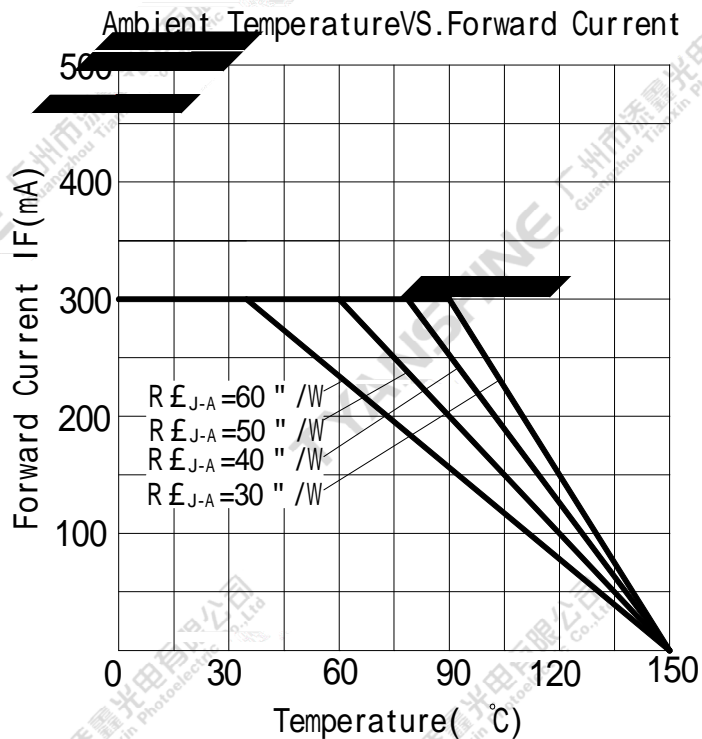
(25 " Ambient Temperature Unless Otherwise Noted)

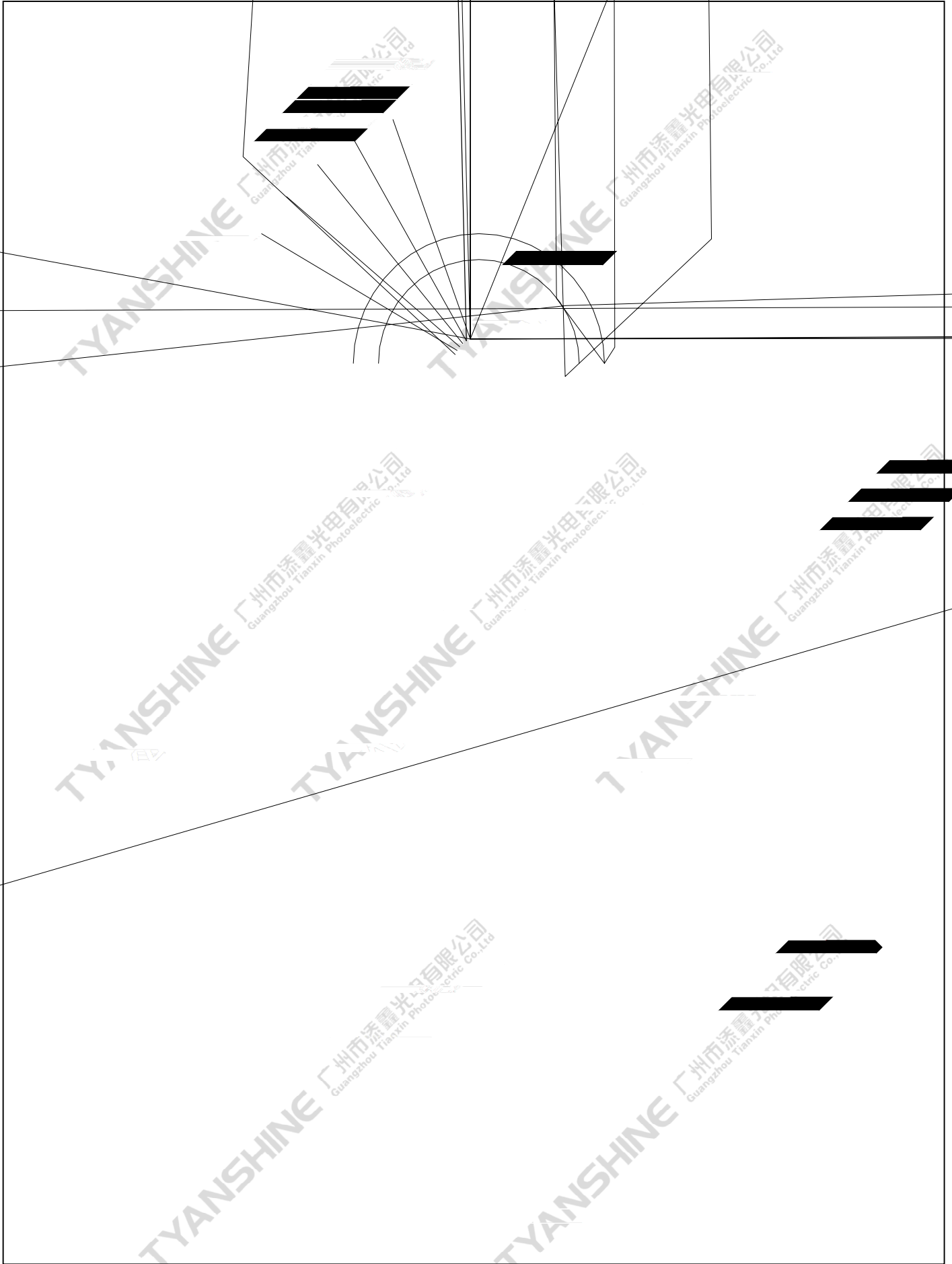
Forward Current VS.Forward Voltage



Forward Current VS.Luminous flux







Part No.	TX-G3A140-010G	Spec No.	WKF-BA3070	Page	7 of 8
-----------------	----------------	-----------------	------------	-------------	--------

