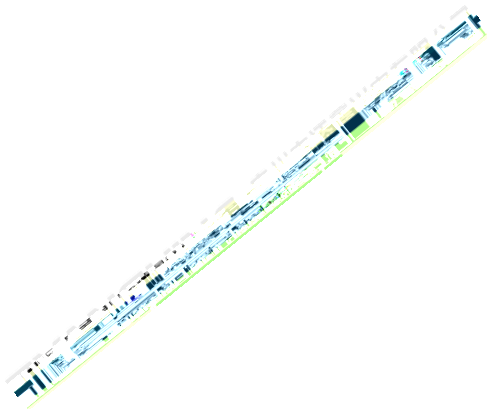
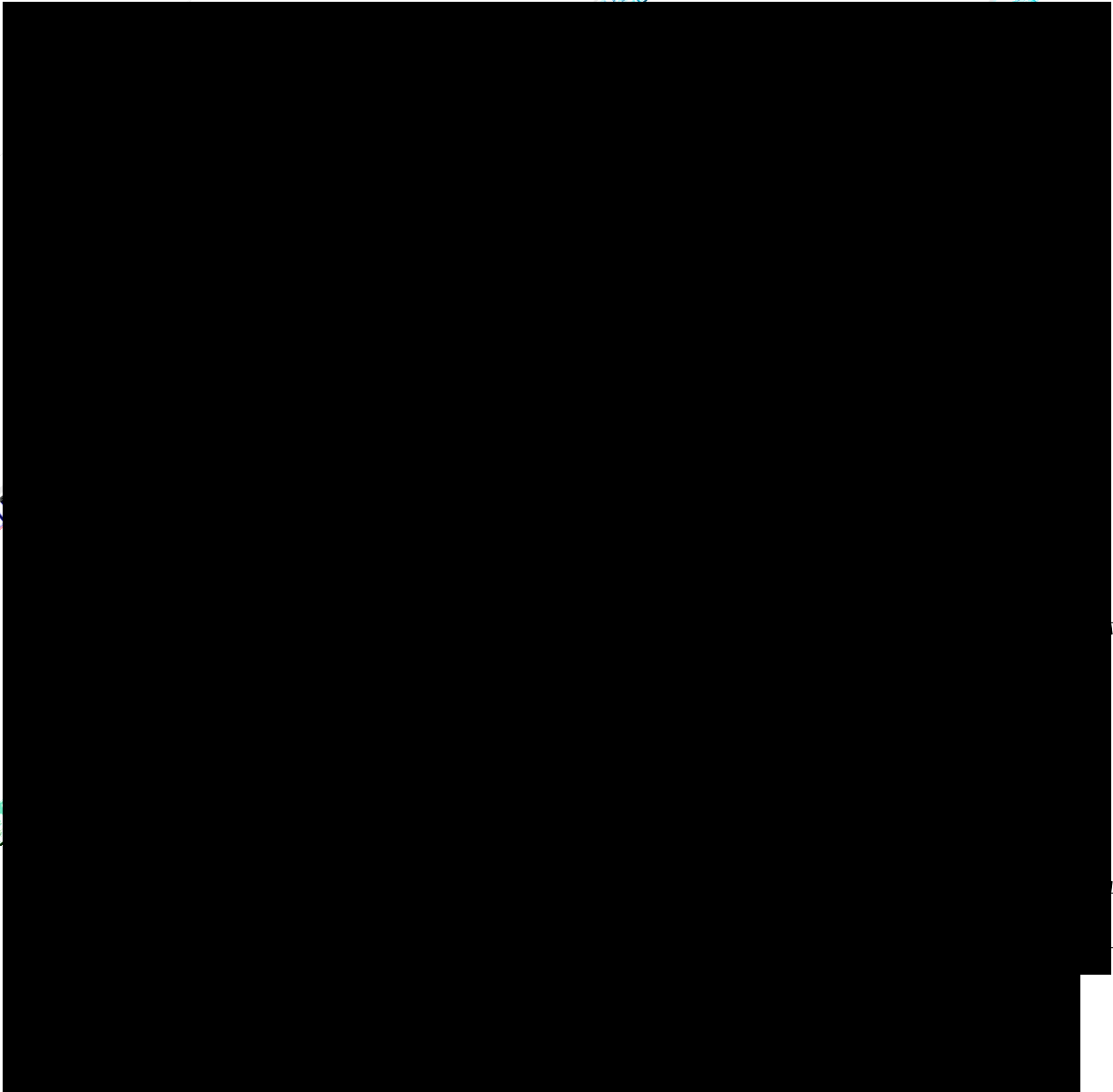




	-5050	20	120-	34-02	.	-	0884	1	10
--	-------	----	------	-------	---	---	------	---	----

://

:1.0



.	-5050	20	120-	34-02	.	-	0884	2	10
---	-------	----	------	-------	---	---	------	---	----

://

:1.0

				1500		
				1500		
				1500		
				2000		
				5		
				4650		
				5850		
				5400		
				7200		
				115		
				150		
				150		
				150		
				2000		
				-40 70		
				-30 100		
1.						
2.						
3.						

-5050

20 120-

34-02

- 0884

3 10

					140	170	200
					325	365	405
					58	65	72
					410	460	510
					618	623	628
					519	524	529
					452	457	462
					628	633	638
					513	518	523
			=1.5		447	452	457
					13	16	19
					29	34	39
					21	26	31
					20	24	28
					2.3	2.6	3.0
					3.2	3.6	3.9
					3.0	3.3	3.6
					3.0	3.3	3.6
			=1.0		6000	6720	7000
							2
			=5				2
							2
	50	2 1/2				120	
						3.8	
						4.9	
						4.9	
						3.2	/
						0.8	
						-1	
						-4.9	
		/	=1.5			-2.5	/
						-1.9	
	-5050	20 120-		34-02		- 0884	4 10

			1	1	2	2	3	3	4	4
1	6000	6500	0.3210	0.3456	0.3129	0.3285	0.3109	0.3419	0.3200	0.3584
1	6500	7000	0.3131	0.3272	0.3071	0.3134	0.3047	0.3250	0.3112	0.3399

1.

2. 1/2

3.

()

4.

15%.

5.

: 0.15 .

-5050

20 120-

34-02

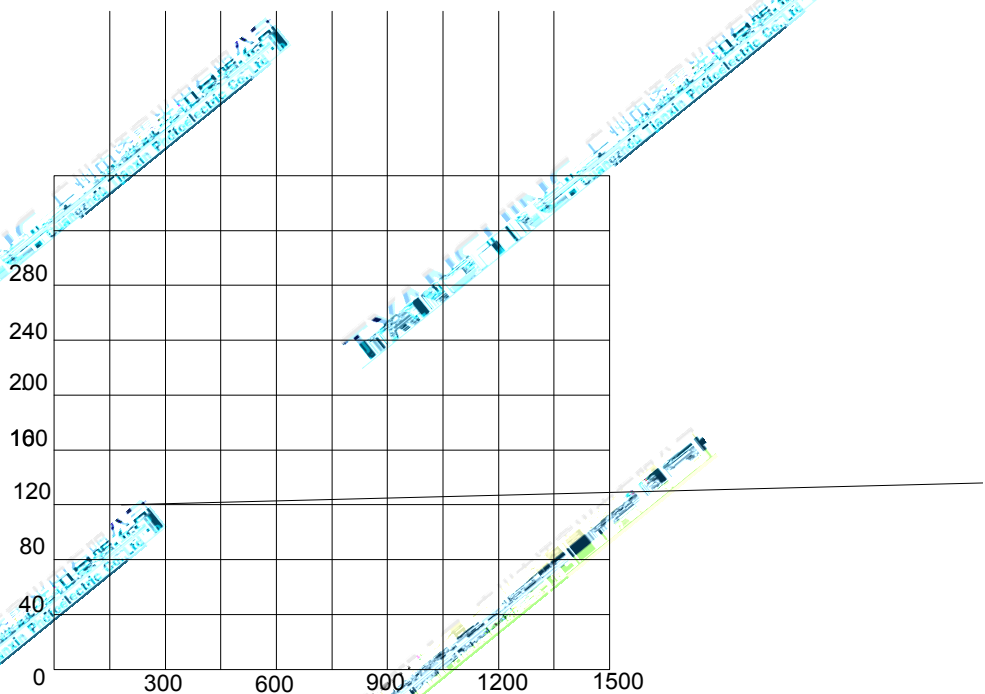
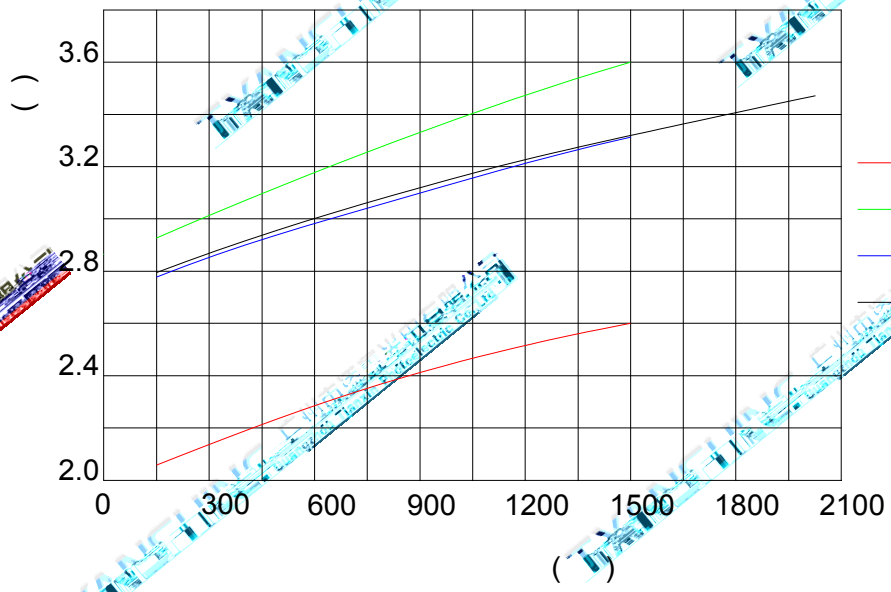
- 0884

5 10

://

:1.0

(25)



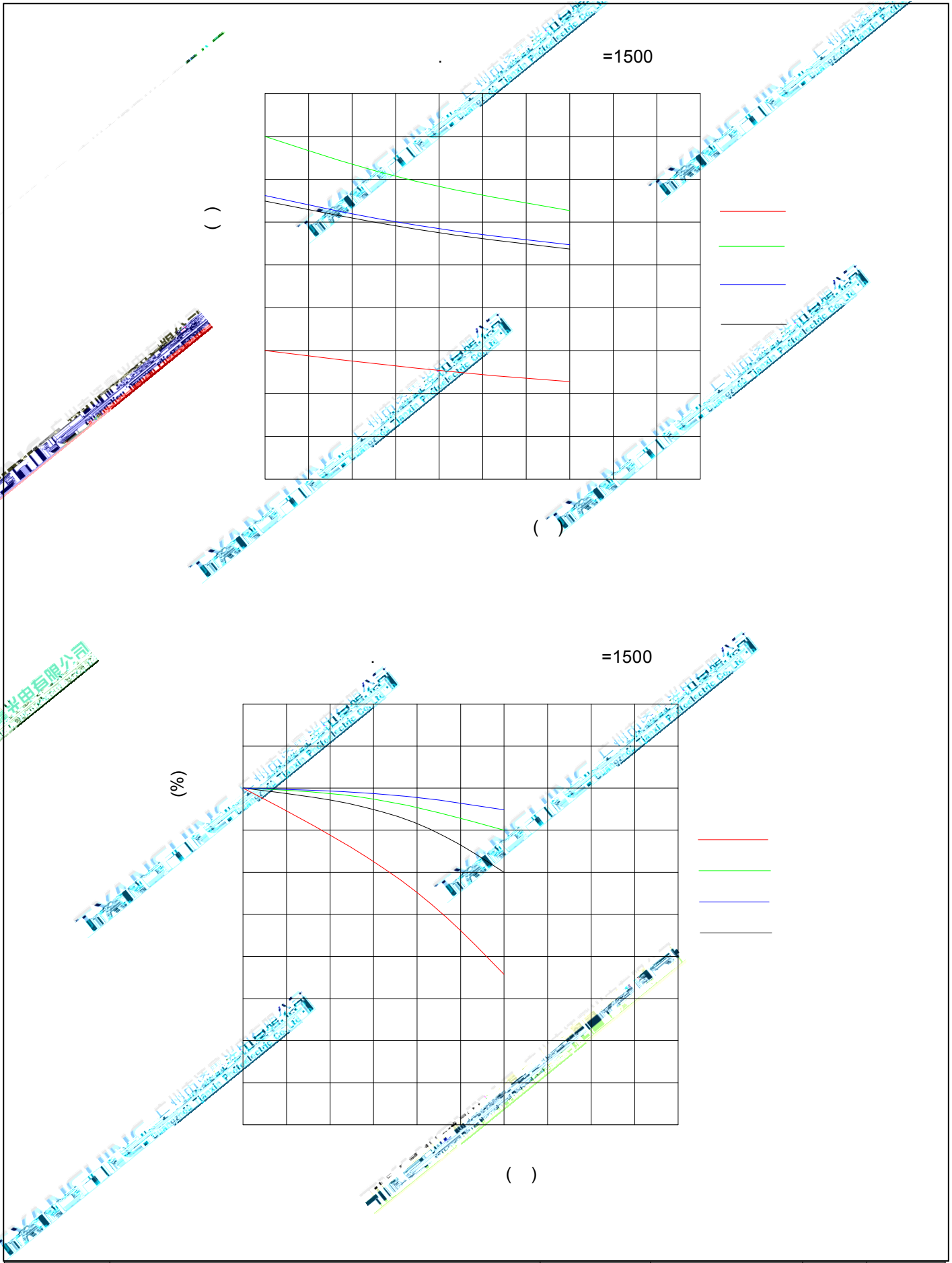
-5050

20 120-

34-02

- 0884

6 10



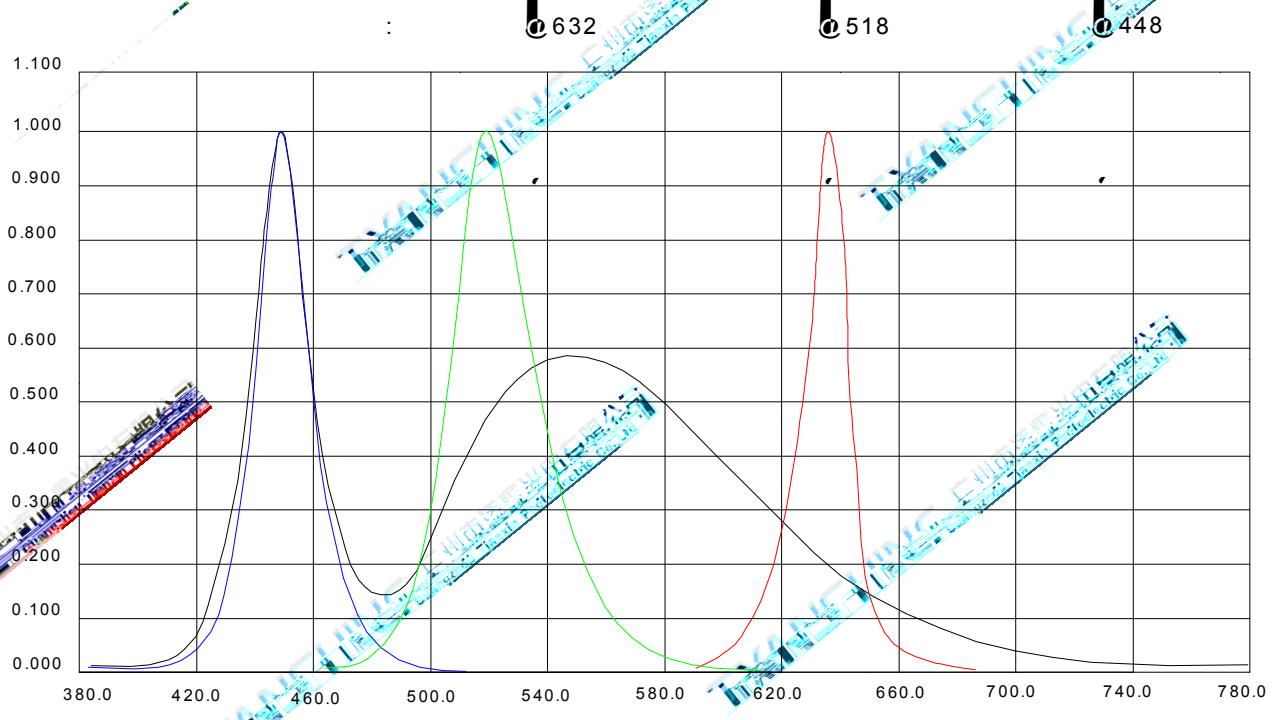
-5050

20 120-

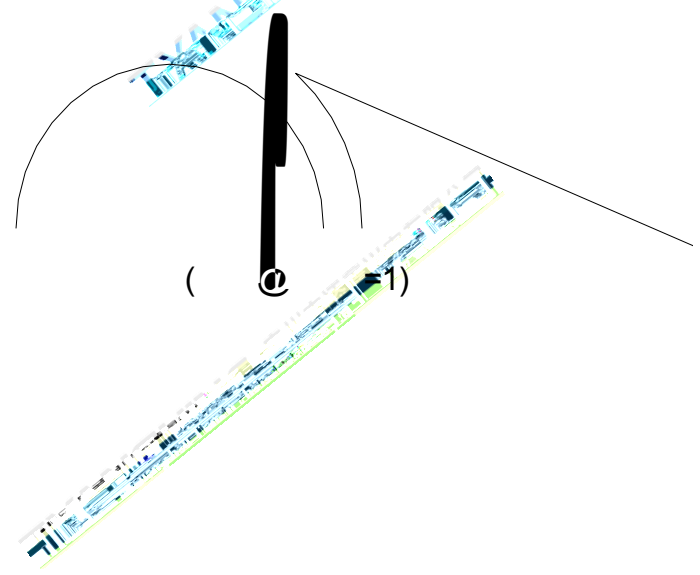
34-02

- 0884

7 10

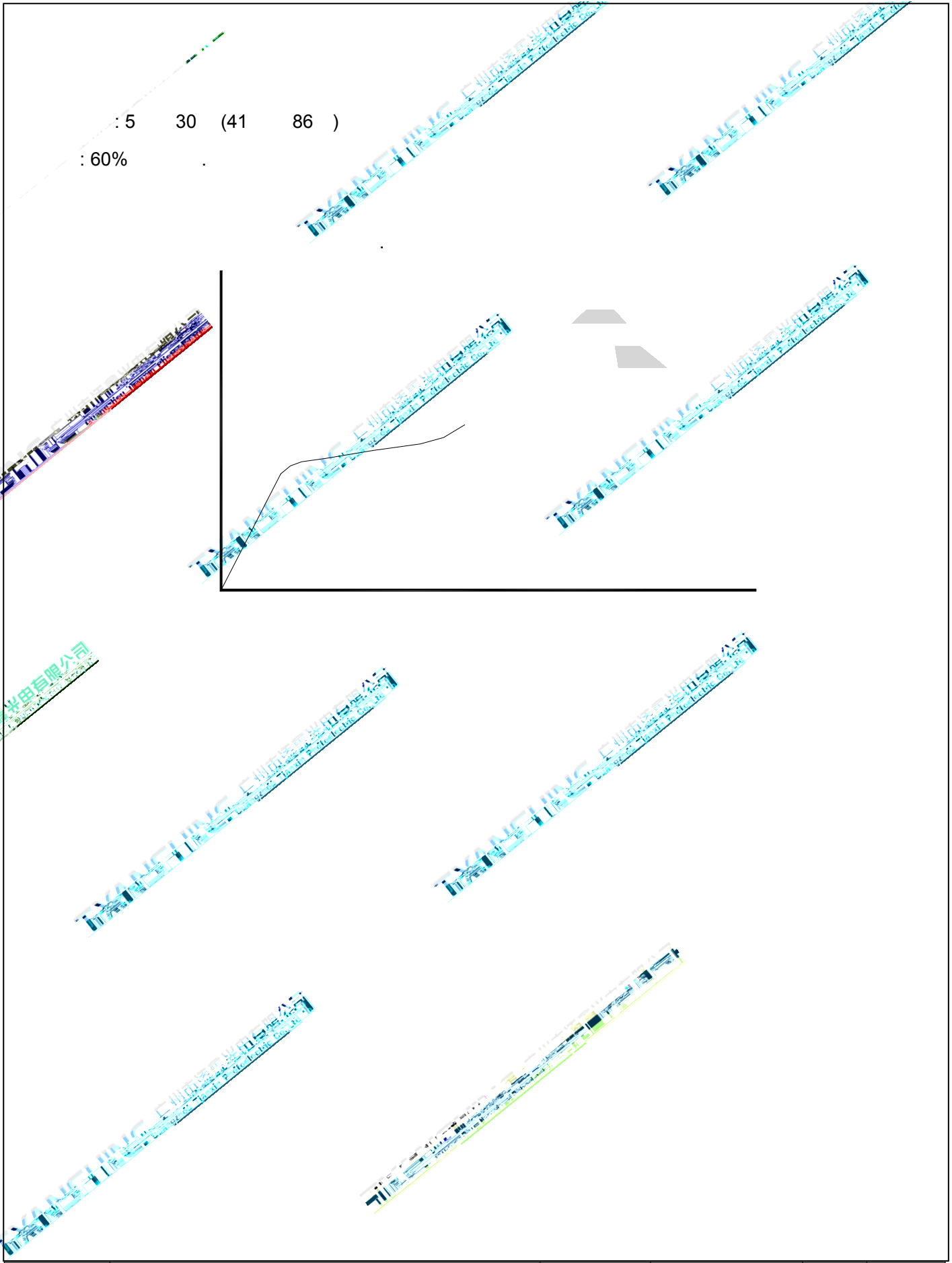


()



(①)

: 5 30 (41 86)
: 60%



-5050

20 120-

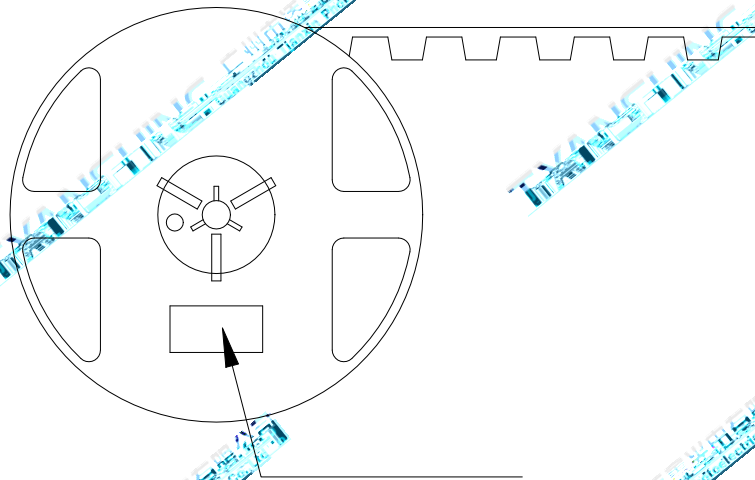
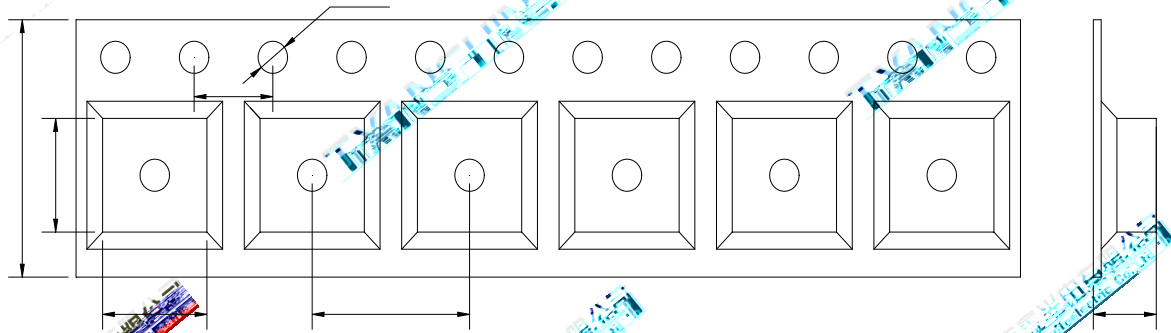
34-02

- 0884

9 10

://

:1.0



- 1.
- 2.
- 3.

2.0

-5050

20

120-

34-02

- 0884

10 10