

High Power LED chip rated current of 2000 A.

High Power

UV.

Each lot is tested and certified to ensure the quality of the product.

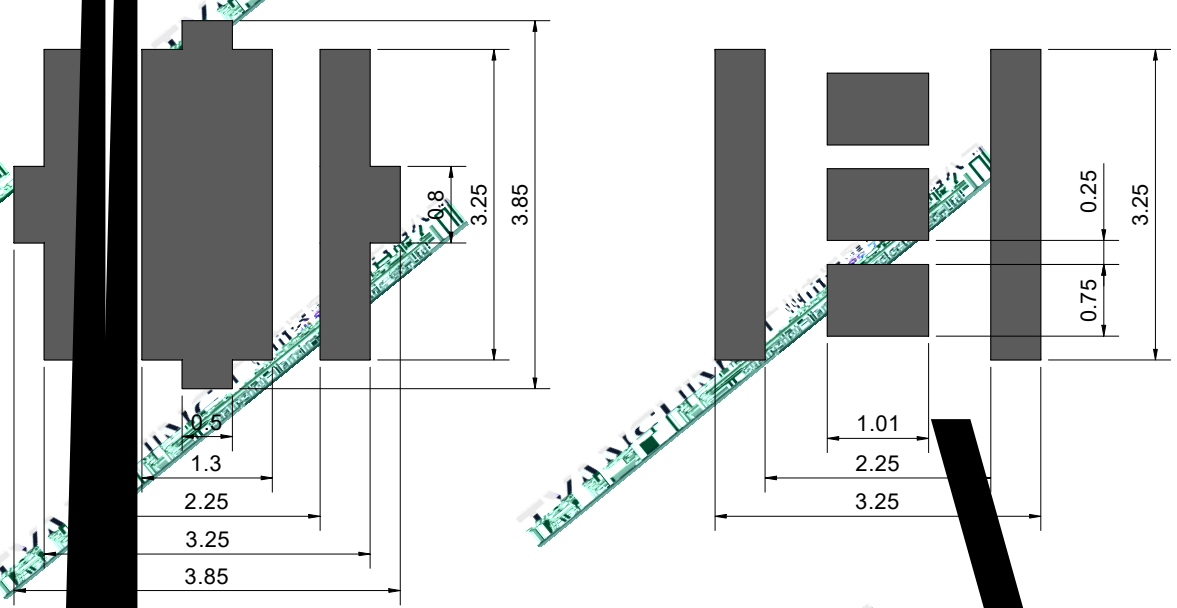
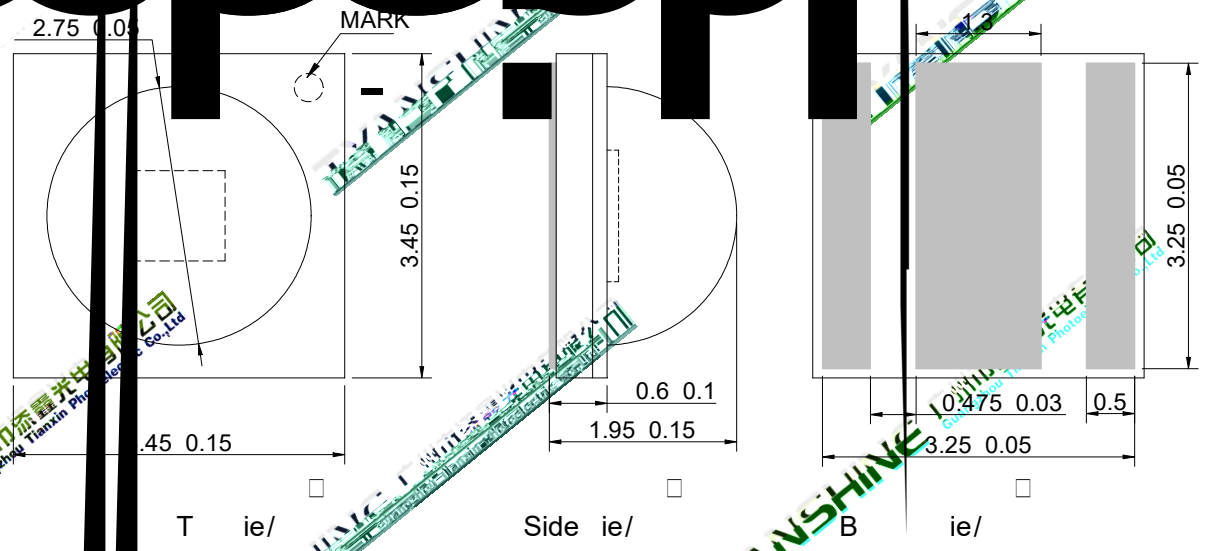
GaN

Red

All light

All light

White light



F / adC e	IF	2000	A
Re e eV l age	V <sub>R</sub>	N de ig ed f e e e e a i	V
P / e Di i ai	P <sub>D</sub>	7.0	W
J ci Te e a e	T <sub>j</sub>	150	
Elec a ic Di a ge Th e h ld (ESD)	ESD	ESD e i i e de j e e	V
age Te e a e	T <sub>g</sub>	-40 +70	
O e ai Te e a e	T	-80 +85	

1. Specific a e Dec cha ge / i h ice.

2. The da a h i e c i f e f e e ce l a d h e ac al da a i i acc da ce / i h he ack / ledg e .

3. P eca f ESD:

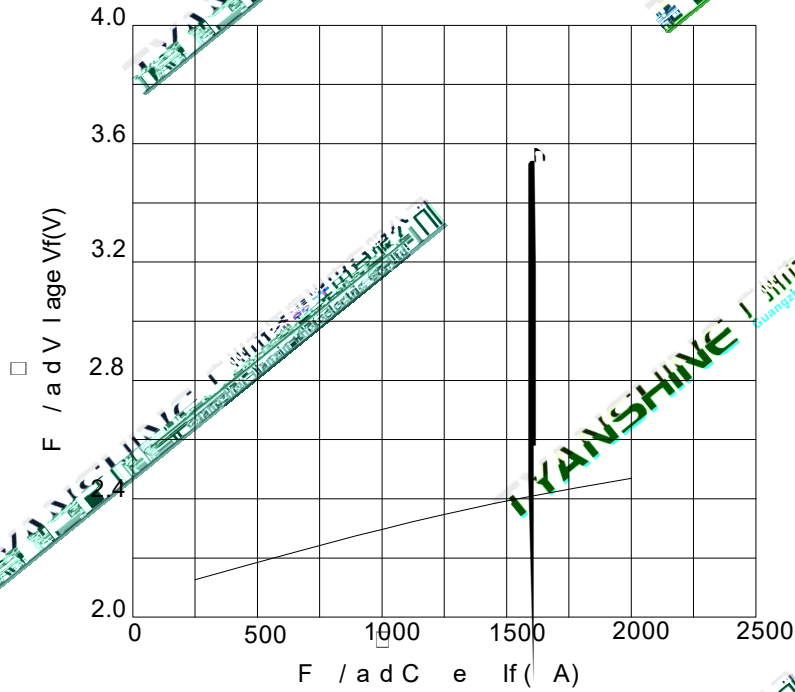
STATIC SHIELD Elec i a d ge da age he LED. l i ec e ded, e a / i ba d a i-elec a ic gl e / he ha d l i g he LED. All de ice , e i e a d achi e be e l g ded.

LiFi				150	190	210	l
F / ad V l age	$V_e$			2.3	2.5	2.8	V
Vie/ i g A gle a 50 IV	$2 \frac{1}{2}$	If=1000 A			120		Deg
Peak E i i Wa ele gh				620	625	630	
D i a Wa ele gh	d			615	619	625	
Vie/ i g A gle a 50 IV	$2 \frac{1}{2}$			12	16	20	
Re e e C e	$I_R$						A
ne al Re i a ce J ci Ca e	$R_{J-C}$	If=1000 A			4.9		KW
Te e a e C efficie f V l age	$V_{F/T}$				-2		V/

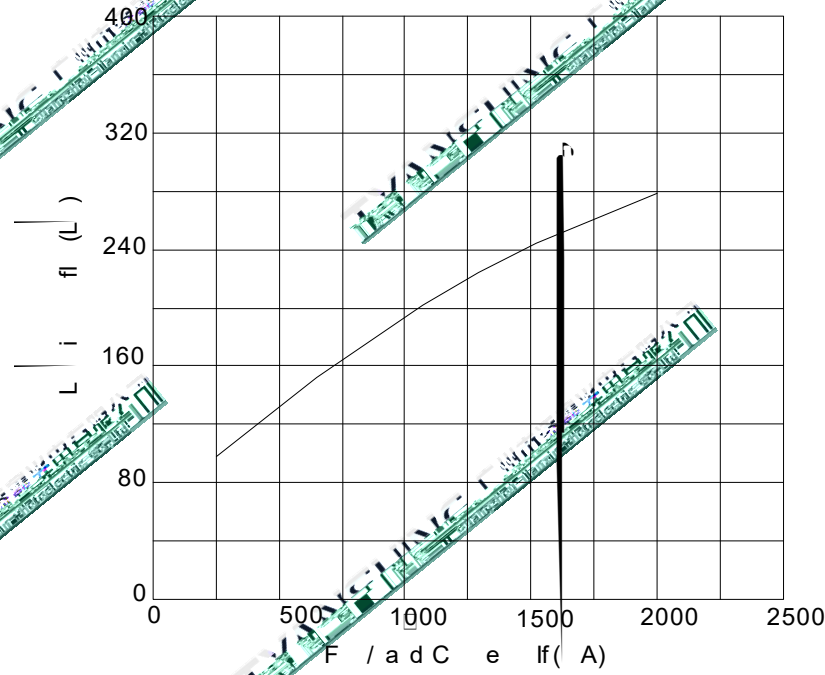
1. LiFi i e i i ea ed / i h a ligh e a d file c bi a i ha a i a e he CIE e e e e c e.
2.  $1/2$  i he ff-a i a gle a / hich hel i i e i i half he a i a l i i e i .
3. LiFi fl ea e e l e a ce: 15%.
4. F / ad l age ea e e l e a ce: 0.15V.

(25 A bie Te ea eU le Ohe / i eN ed)

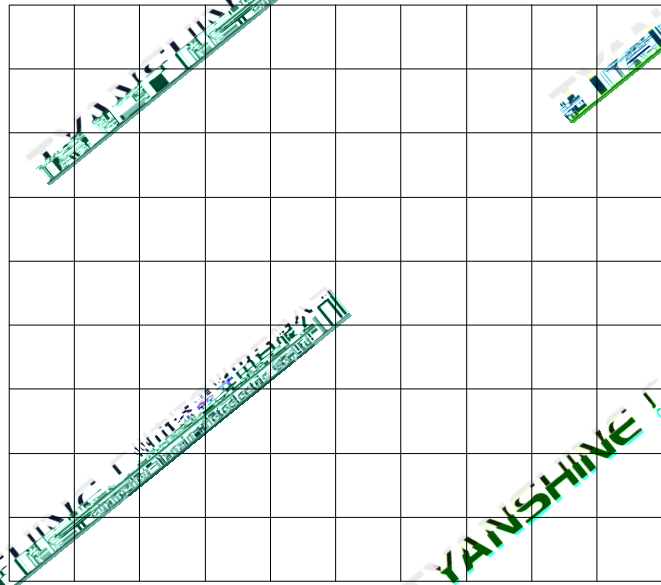
F / a d C e VS. F / a d V l a g e



F / a d C e VS. L i f l



Te e a e VS. F e a d V l a g e (IF=1000 A)





**SUNSHINE** / 广州市添鑫光电有限公司  
Guangzhou Tianxin Photoelectric Co., Ltd

广州市添鑫光电有限公司  
Guangzhou Tianxin Photoelectric Co., Ltd

