

TX-2020A3FSA1-NG4DA-01

PRODUCT SPECIFICATION

Features:

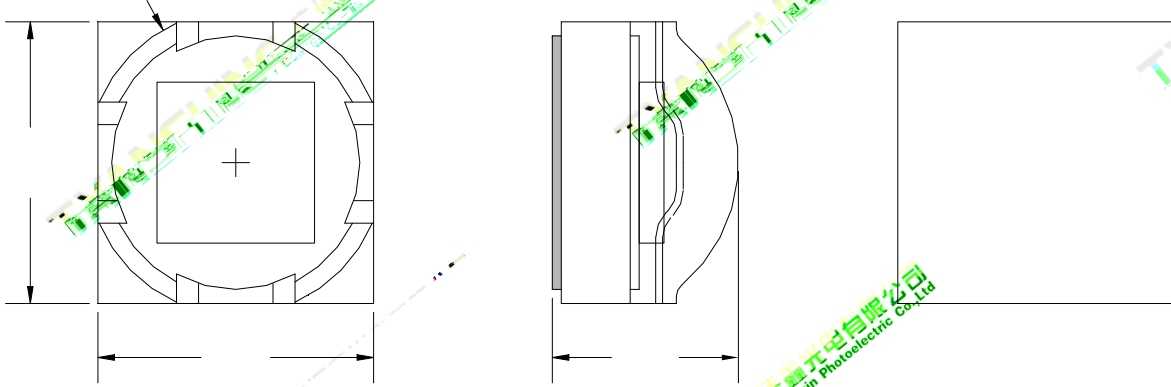
Chip Material:

Emitting Color:

Applications:

--	--	--	--	--	--

Package Dimensions:

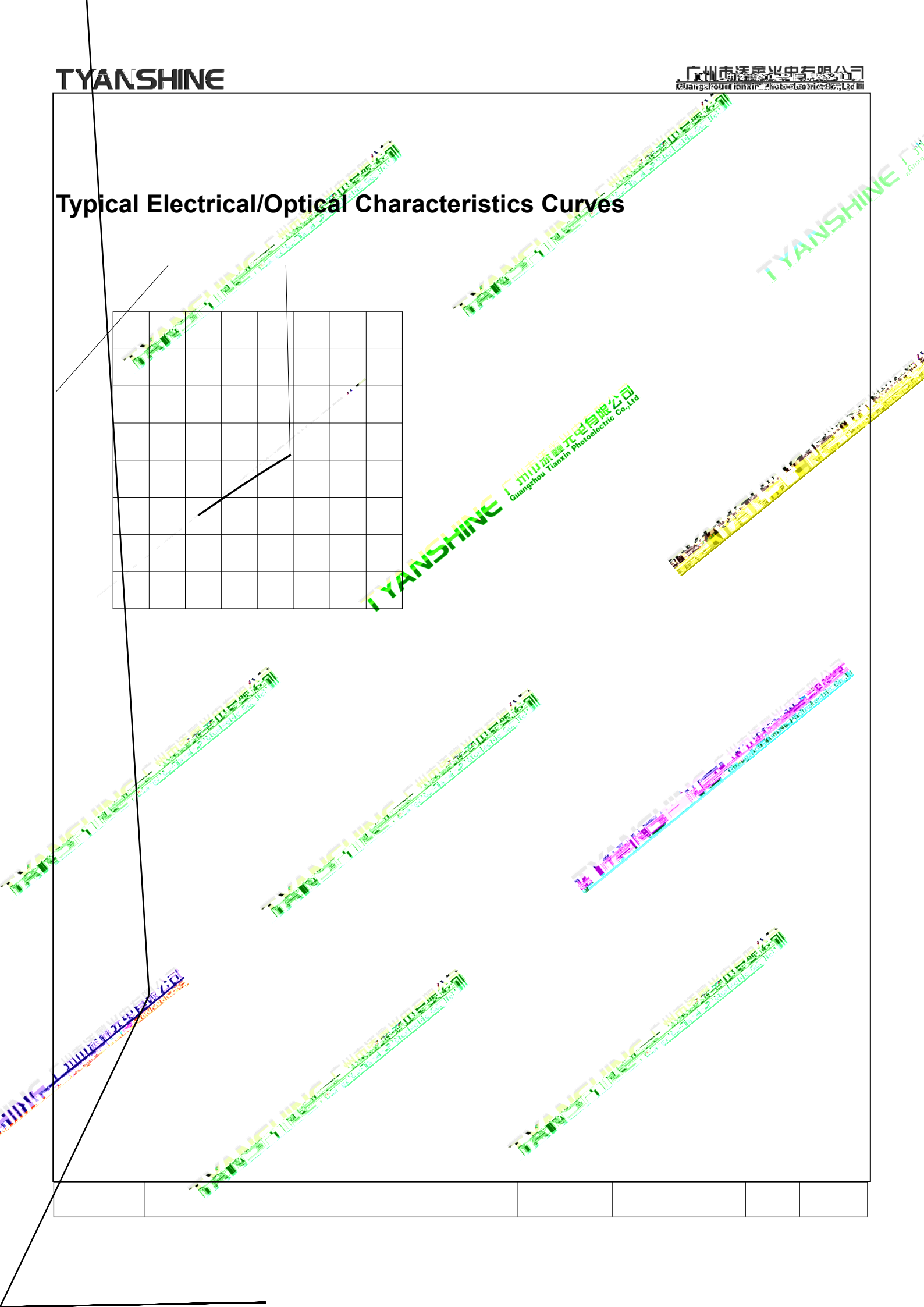
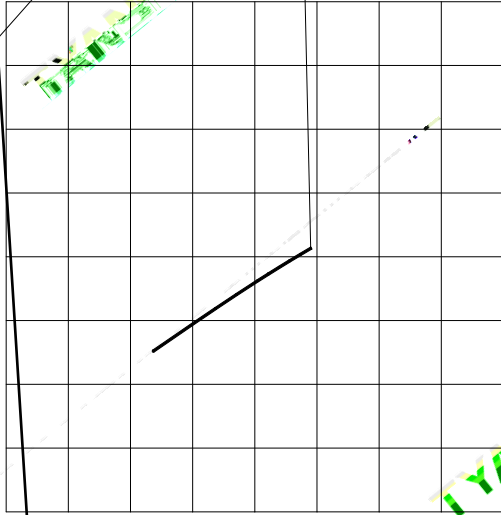


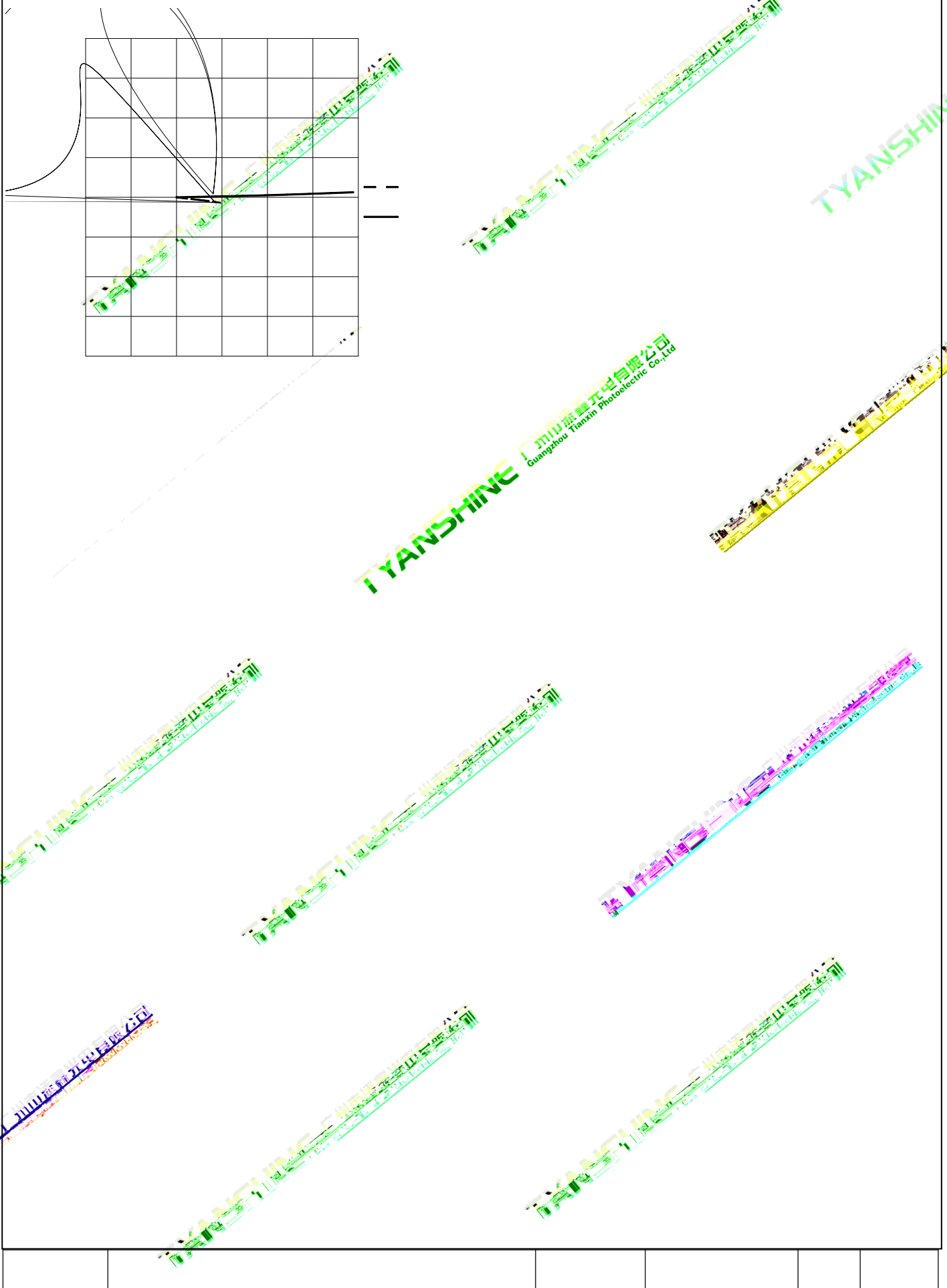
--	--	--	--	--	--

Absolute Maximum Ratings (Tc=25)

Parameter	Symbol	Ratings	Unit
<p>Notes:</p>			

Typical Electrical/Optical Characteristics Curves



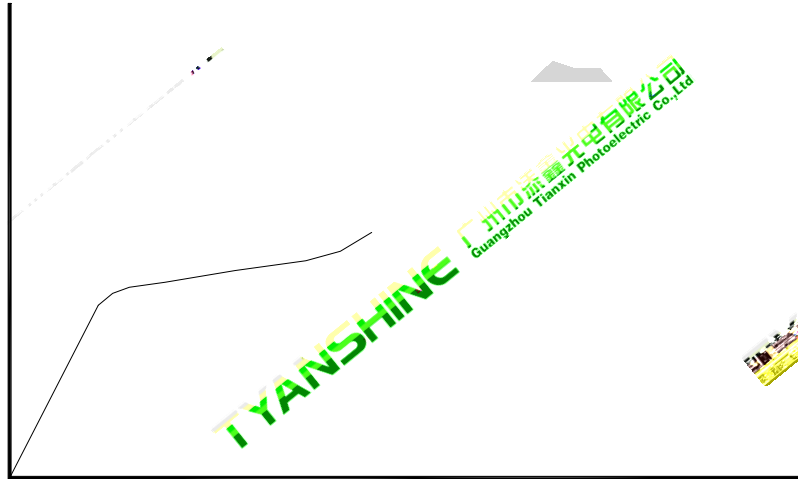


--	--	--	--	--	--

Usage Precautions

Storage Environment Condition

Soldering Condition



--	--	--	--	--	--

